

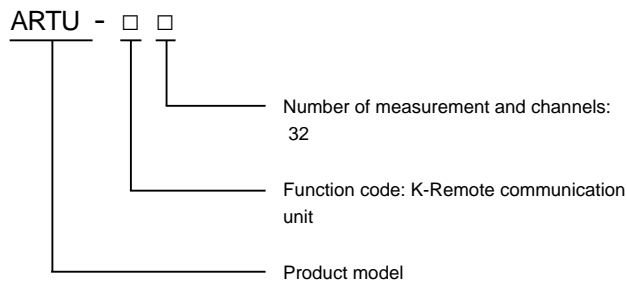
ARTU-K32



General

ARTU Series remote communication unit is designed for intelligent distribution and industrial automation and other fields, it is used to collect switch signal and transforms the signal to a digital signal. The data exchange with master computer monitor can be realized through communication.

Type Description



Functions

Function	Function description
Auxiliary power supply	24VDC (±10%) 220VAV, allow AC85 ~ 275V/DC100 ~ 350V
Power consumption	≤5W
Working temperature	-5℃~+55℃
Frequency	≤500HZ
Relative humidity	≤95%RH, free of condensate or aggressive gase
Input consumption	Power supply: power consumption ≤5W
Storage temperature	-25℃~+70℃
Altitude	≤2500m
Insulating strength	2kV/5s, between each terminal groups and the auxiliary power supply; 1kV/5s, 50Hz between all switching inputs and communication ports

Technical Parameter

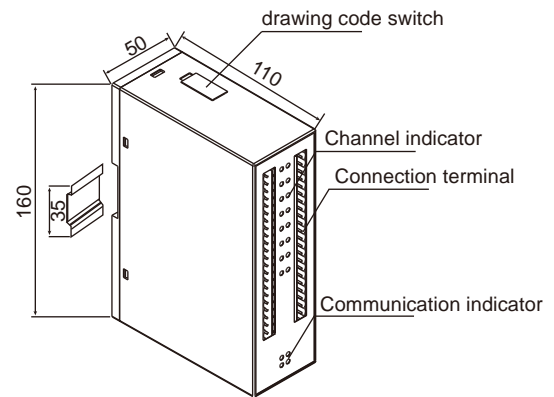
Performance	Specifications
Input circuit	32
Input mode	Active wet contact(DC12V) or passive dry contact
Bus way	RS485 (Modbus RTU) Half-duplex RS485 (Modbus RTU), three core shielded wire suggested
Bus capacity	≤32
Resolution of switching event	Distinguishing capability for bit changing in succession of multiple contacts. When the bit changing interval of any two contacts is more than 1ms, the distinguishing capability (less than 2ms) of the unit is reflected in SOE.
Remote communication scanning speed	Scanning cycle for all channels: 1ms
Debouncing time of remote communication	Debouncing time is 1ms (adjustable) for all channels.
SOE capacity	1600sets

Wiring and Installing

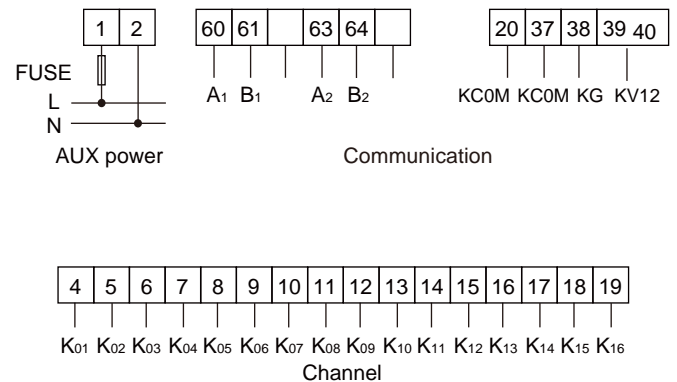
Installation and overall dimensions

Outline dimension (L*W*H): 160×50×110

Installation: standard TS35 DIN-Rail Mounting



Connection way of remote communication



21	22	23	24	25	26	27	28	29	30	31	32	33	34	35	36
K ₃₂	K ₃₁	K ₃₀	K ₂₉	K ₂₈	K ₂₇	K ₂₆	K ₂₅	K ₂₄	K ₂₃	K ₂₂	K ₂₁	K ₂₀	K ₁₉	K ₁₈	K ₁₇

Channel

Note: Active wet contact: $K_i(i=1\sim32)$ and common port KCOM are all channel access ports while KV12 and KG are suspended.

Passive dry contact: $K_i(i=1\sim32)$ and common port KV12 are all Channel access ports while KCOM is short circuit with KG.